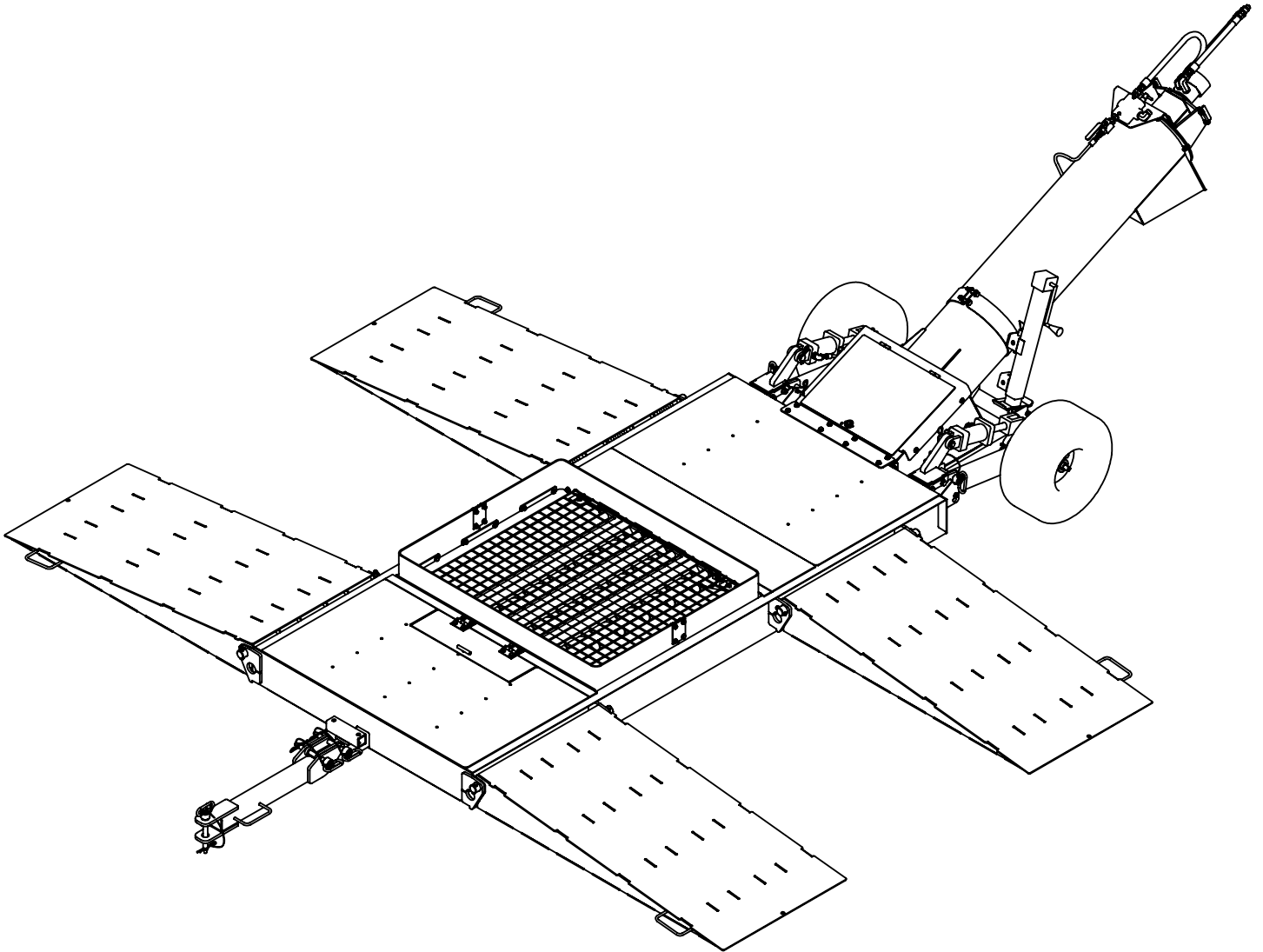


BURCHLAND

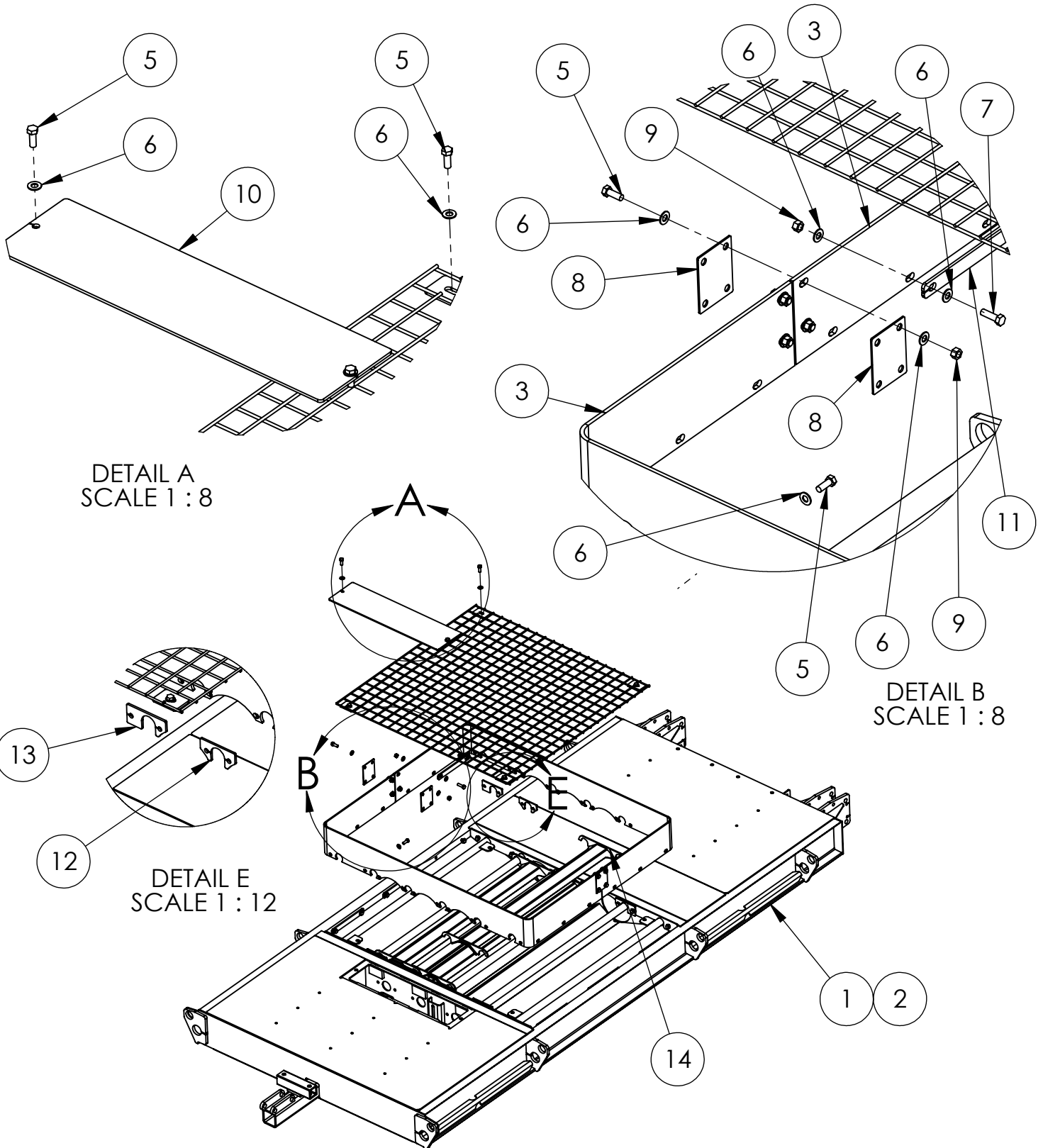
GSX 100 / 130

DRIVE OVER GRAIN HOPPER



PARTS BOOK

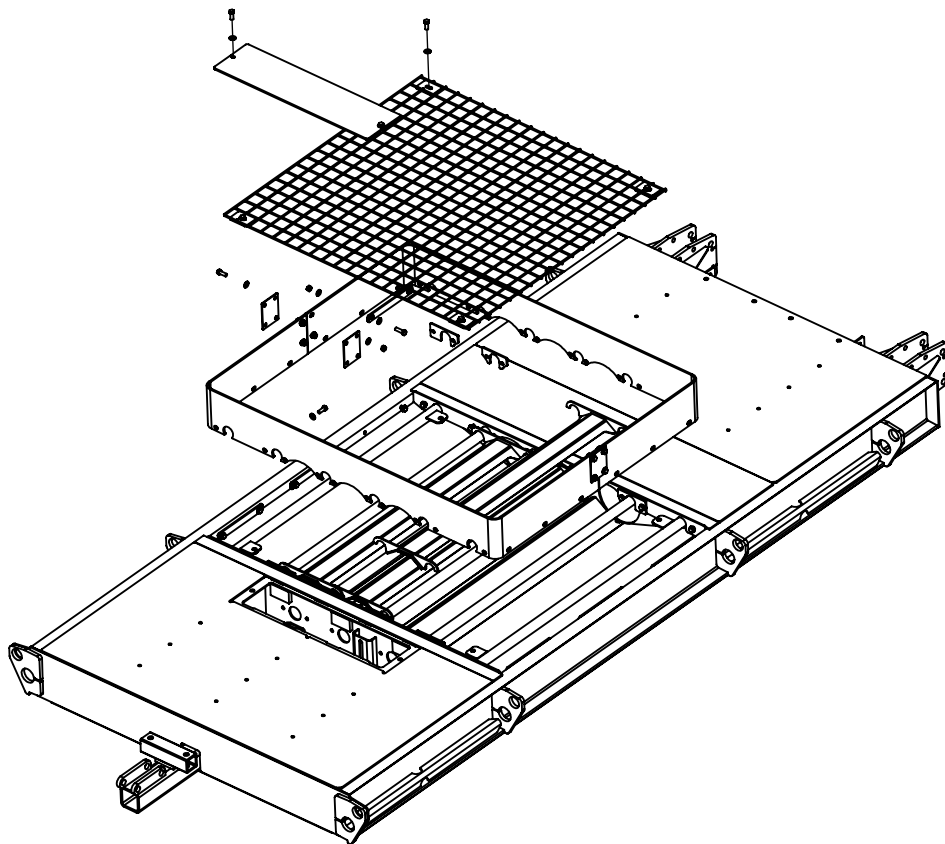
GSX-130 FRAME AND GUARD ASSEMBLY 12863
 GSX-100 FRAME AND GUARD ASSEMBLY 12372



NOTE: SERIAL # ENDING IN #089 AND LATER

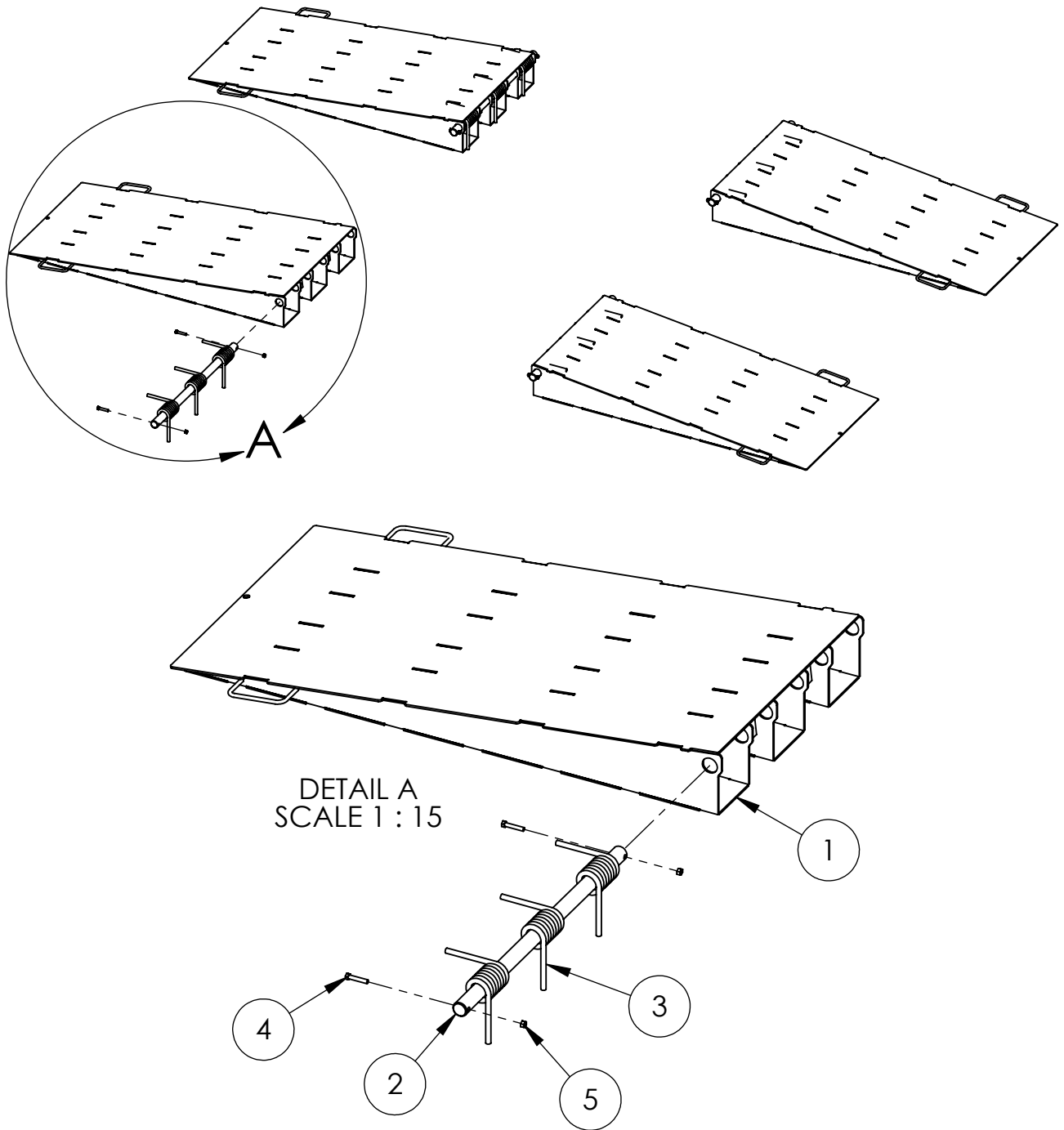
GSX-130 FRAME AND GUARD ASSEMBLY 12863
 GSX-100 FRAME AND GUARD ASSEMBLY 12372

ITEM NO.	PART NUMBER	DESCRIPTION	QTY.
1	12553	HOPPER FRAME, GSX 130	1
2	12647	HOPPER FRAME, GSX 100	1
3	12315	RUBBER SKIRT, GSX	2
4	12248	HOPPER COVER, WIRE MESH	1
5	10112	BOLT, 3/8-16 X 1 GR8 ZY	34
6	10110	WASHER, 3/8 SAE GR8 ZY	66
7	10113	BOLT, 3/8-16 X 1.25 GR8 ZY	12
8	12250	PLATE, RUBBER BELTING	4
9	10947	NUT, 3/8-16 SLTL GR8 ZY	20
10	17175	PLATE, TREAD DOOR	1
11	12881	PLATE, RUBBER SKIRT MOUNT	6
12	12882	PLATE, RUBBER SKIRT WASHER	4
13	12883	PLATE, RUBBER SKIRT WASHER	4
14	13002	AUGER COVER	3



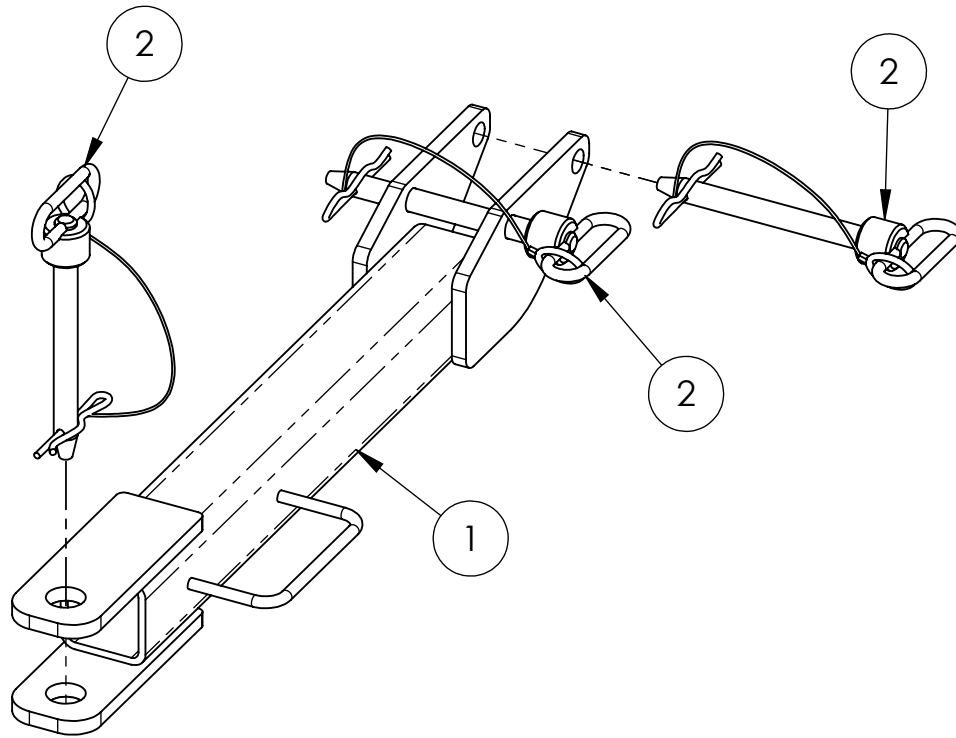
NOTE SERIAL # ENDING IN 089 AND LATER

GSX RAMP ASSEMBLY 12371



ITEM NO.	PART NUMBER	DESCRIPTION	QTY.
1	15618	HOPPER RAMP, 5FT	4
2	12247	BAR, RAMP HINGE	4
3	12246	RAMP SPRING (B, 90 DEG)	12
4	11126	BOLT, 3/8-16 X 2.0 GR8 ZY	8
5	10947	NUT, 3/8-16 SLTL GR8 ZY	8

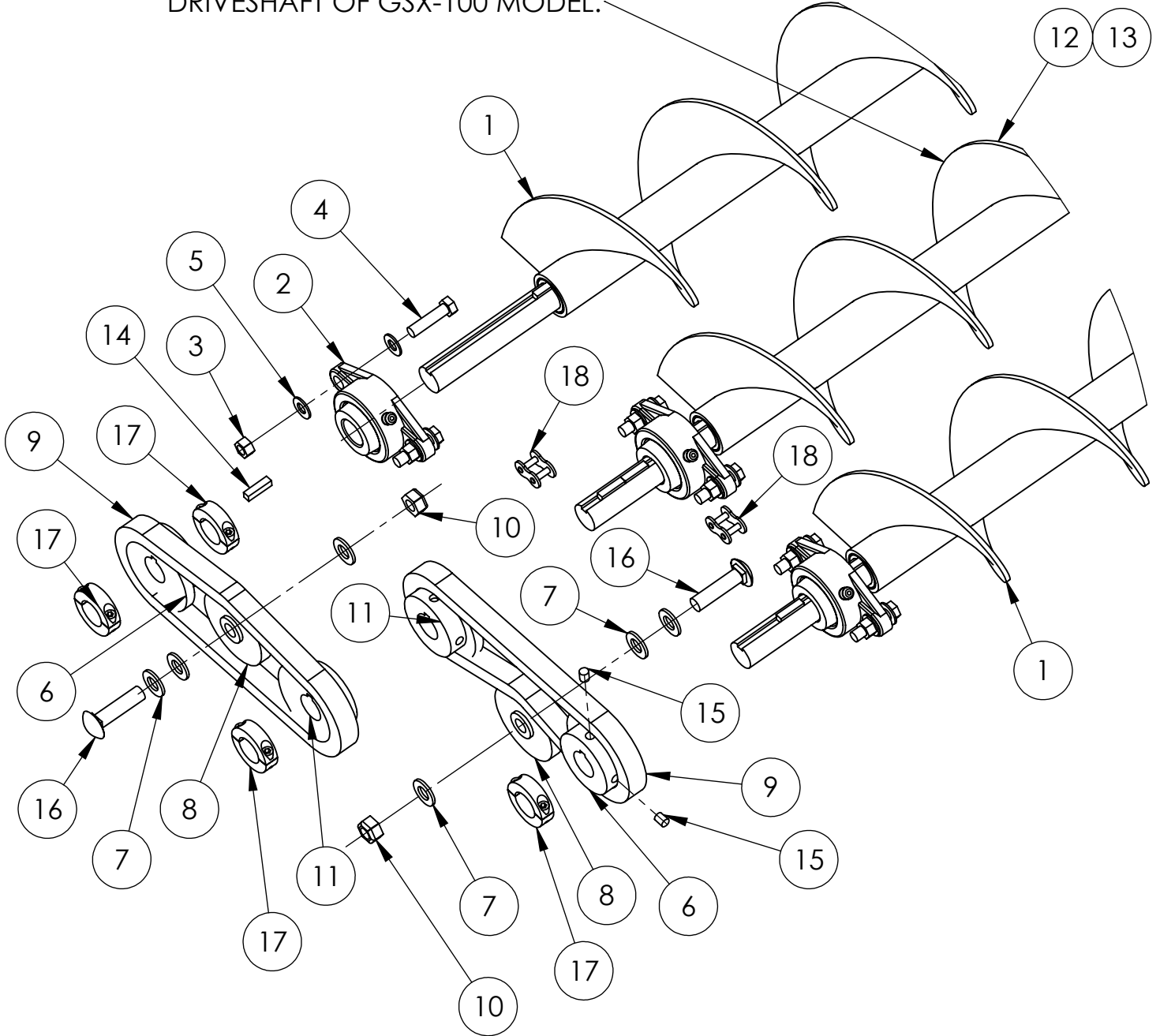
GSX HITCH ASSEMBLY 12274



ITEM NO.	PART NUMBER	DESCRIPTION	QTY.
1	11906	HOPPER TONGUE	1
2	12078	HITCHPIN W/ LANYARD 3/4 X 6 1/2	3

GSX-130 AUGER DRIVE ASSEMBLY 12590
GSX-100 AUGER DRIVE ASSEMBLY 12649

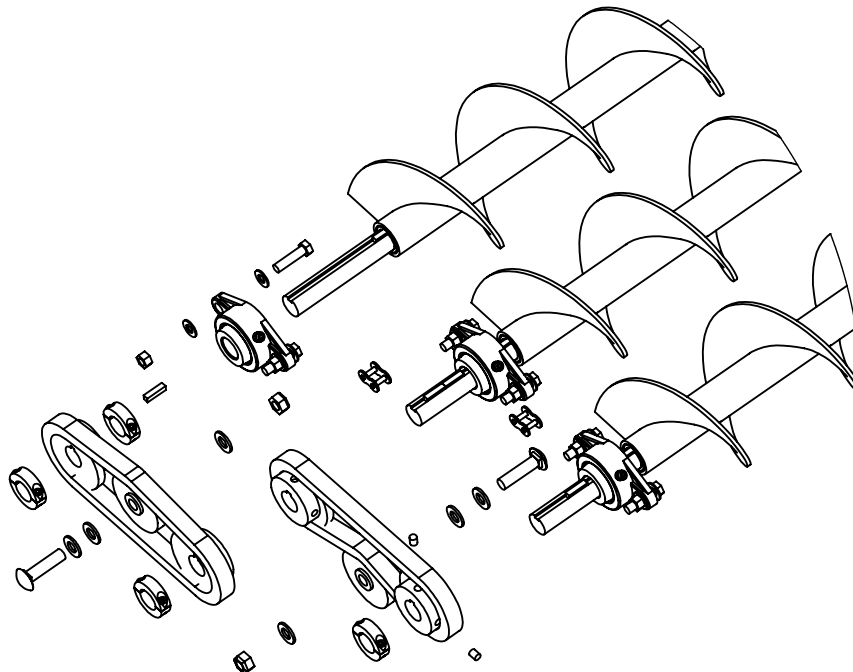
NOTE: NO FLIGHTING ON CENTER
DRIVESHAFT OF GSX-100 MODEL.



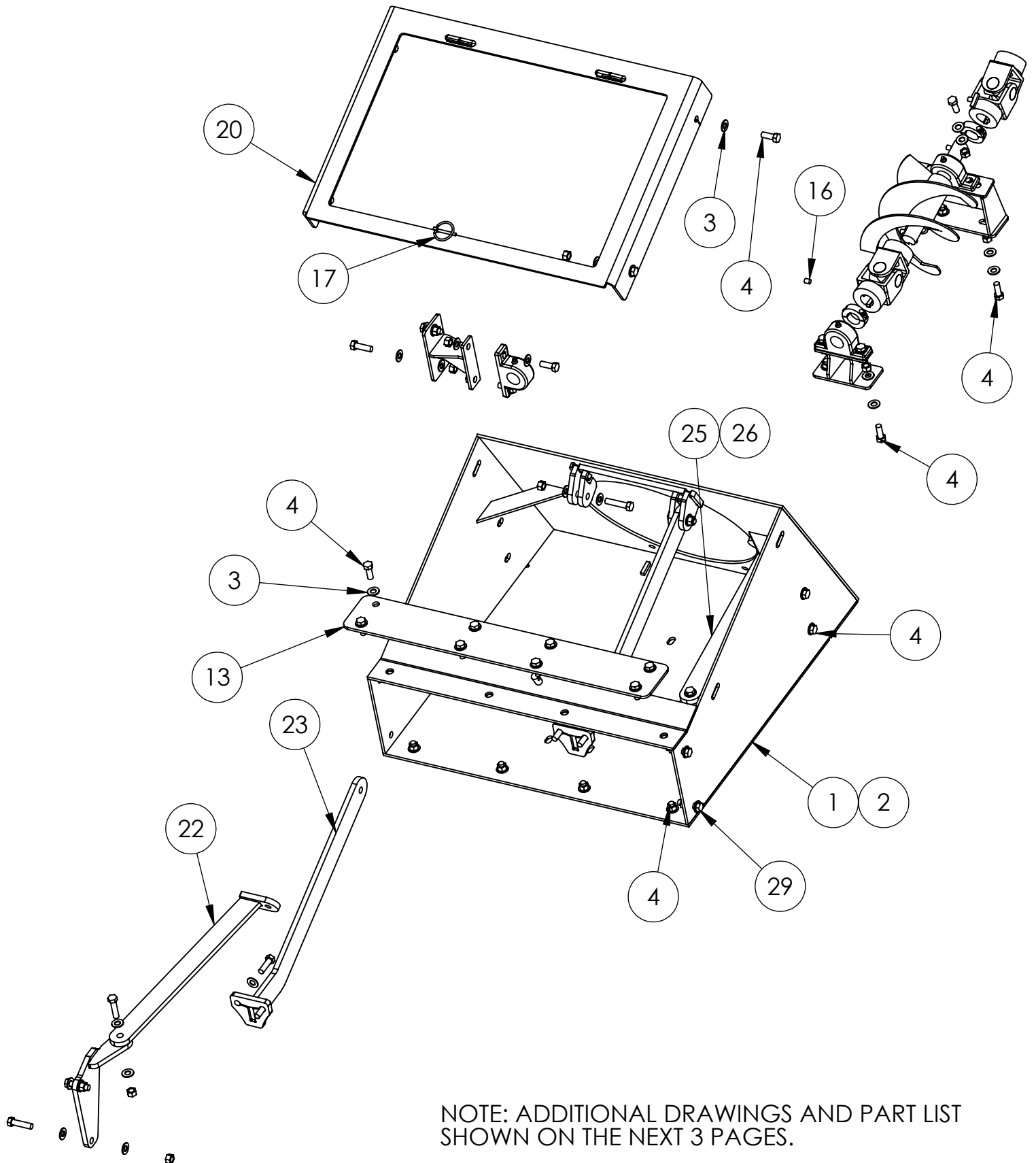
GSX-130 AUGER DRIVE ASSEMBLY 12590
 GSX-100 AUGER DRIVE ASSEMBLY 12649

ITEM NO.	PART NUMBER	DESCRIPTION	QTY
1	12584	AUGER, 6" OD X 101"	2
2	12269	BEARING, 1.0 2-BOLT FLANGE	3
3	10947	NUT, 3/8-16 SLTL GR8 ZY	6
4	12257	BOLT, 3/8-16 X 1.5 GR8 ZY	6
5	10110	WASHER, 3/8 SAE GR8 ZY	12
6	13294	SPROCKET, #50, 13T, 1.0 BORE	2
7	10062	WASHER, 1/2 SAE GR8 ZY	6
8	12026	IDLER SPROCKET, 5013	2
9	12379	ROLLER CHAIN, #50 X 39 LINK	2
10	10396	NUT, 1/2-13, SLTL GR8 ZY	2
11	12267	SPROCKET, #50, 15T, 1.0 BORE	2
*	12	AUGER, 6" OD X 87.25	1
*	13	DRIVESHAFT, GSX-100	1
14	12279	KEYSTOCK, 1/4 X 1/4 X 1.0	4
15	12393	SETSCREW, 5/16-18 X 3/8, KNURLED CUP	8
16	12908	BOLT, 1/2-13 X 1.75 CARRIAGE	2
17	13287	COLLAR, 1.0 ID, 2 PIECE SPLIT	4
18	12330	CONNECTING LINK, #50	2

* USE ITEM #12 ON GSX-130, USE ITEM #13 ON GSX-100



GSX 130 JUNCTION BOX ASSEMBLY 12860
GSX 100 JUNCTION BOX ASSEMBLY 12271

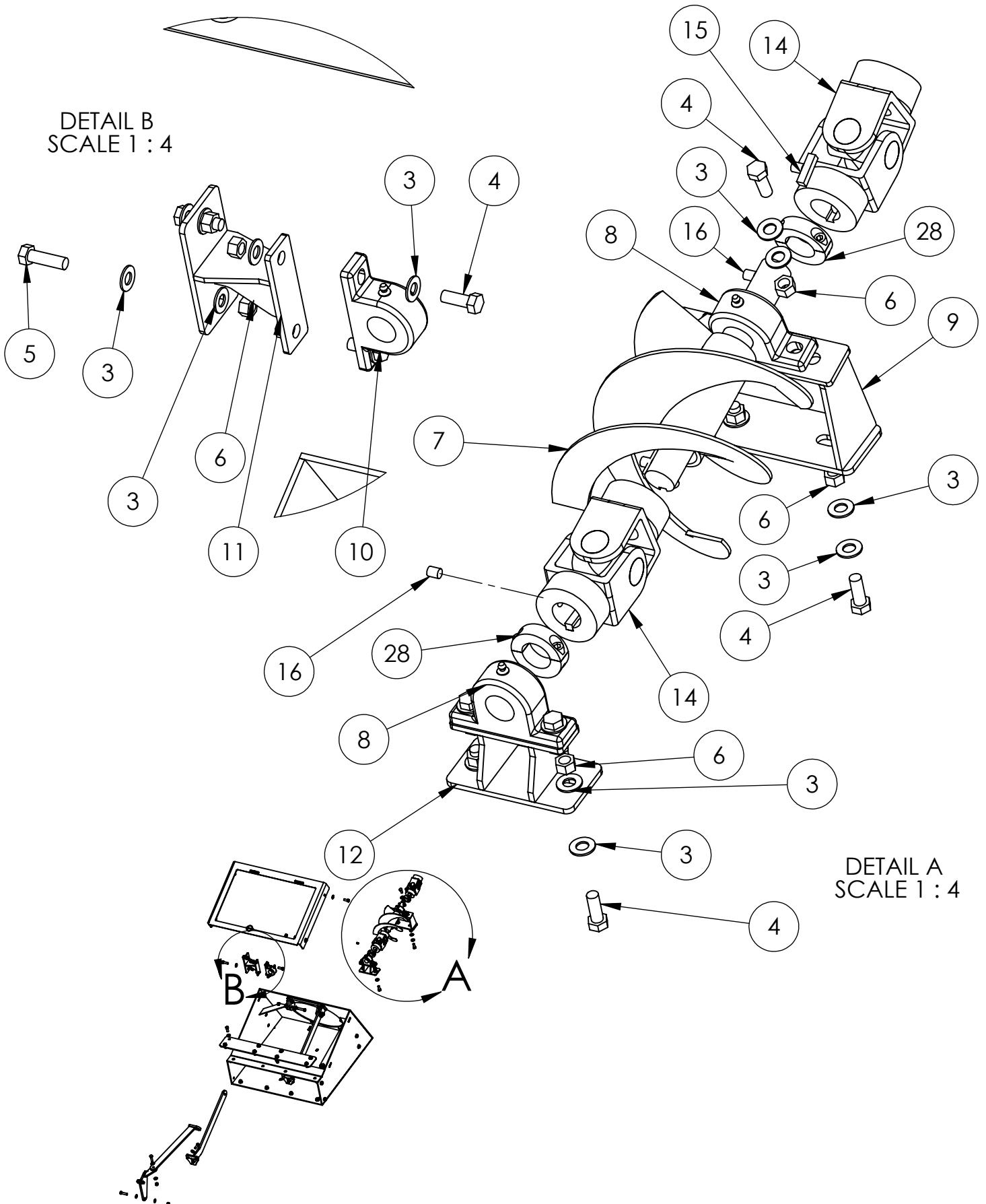


NOTE: ADDITIONAL DRAWINGS AND PART LIST
SHOWN ON THE NEXT 3 PAGES.

NOTE: DRAWINGS SHOW PARTS FOR THE 13" MODEL

GSX 130 JUNCTION BOX ASSEMBLY 12860
GSX 100 JUNCTION BOX ASSEMBLY 12271

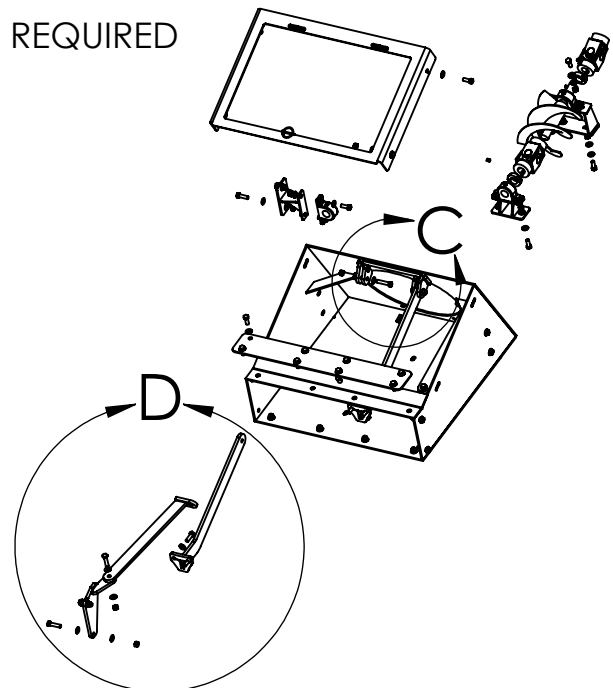
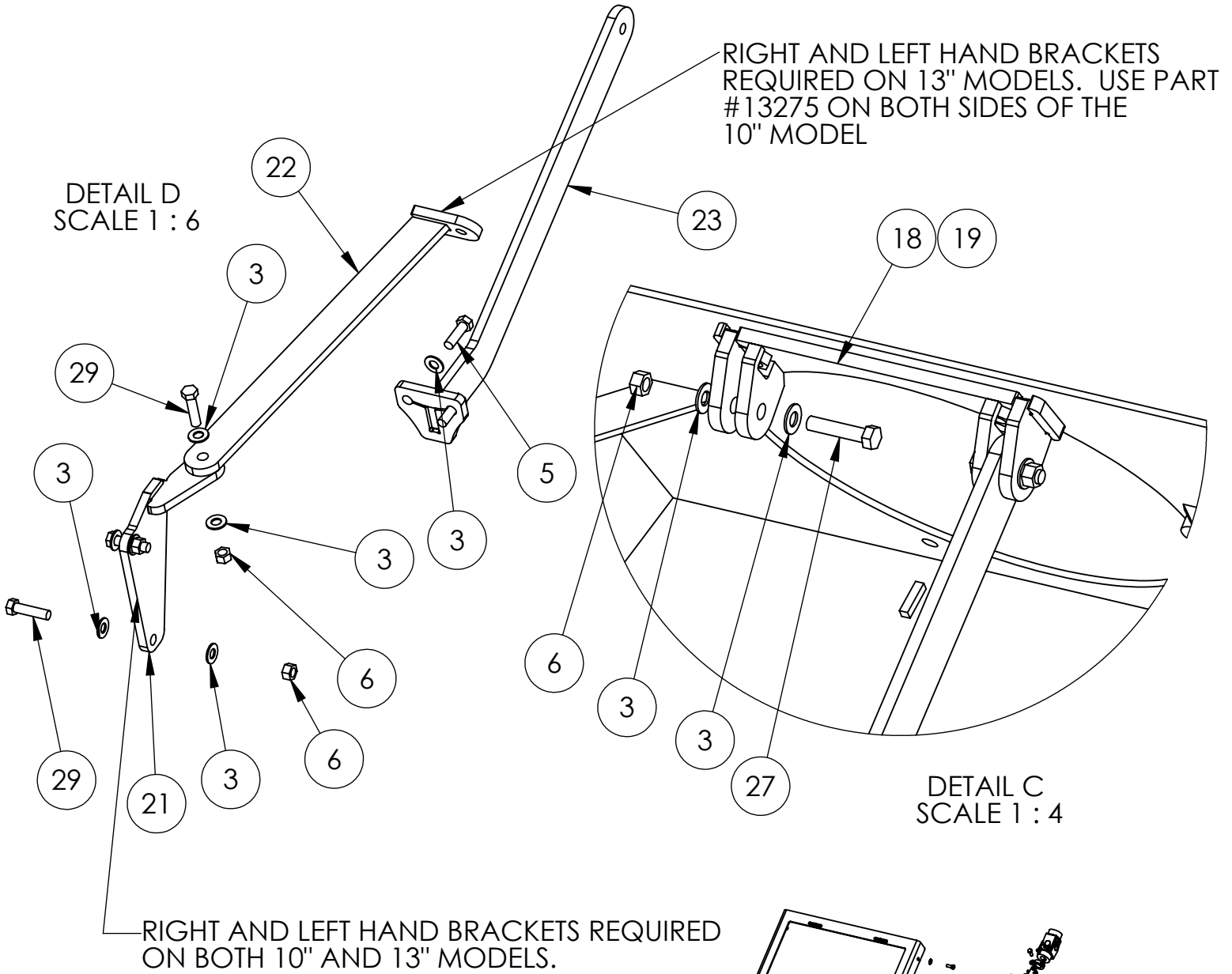
DETAIL B
SCALE 1 : 4



DETAIL A
SCALE 1 : 4

NOTE: DRAWINGS SHOW PARTS FOR THE 13" MODEL

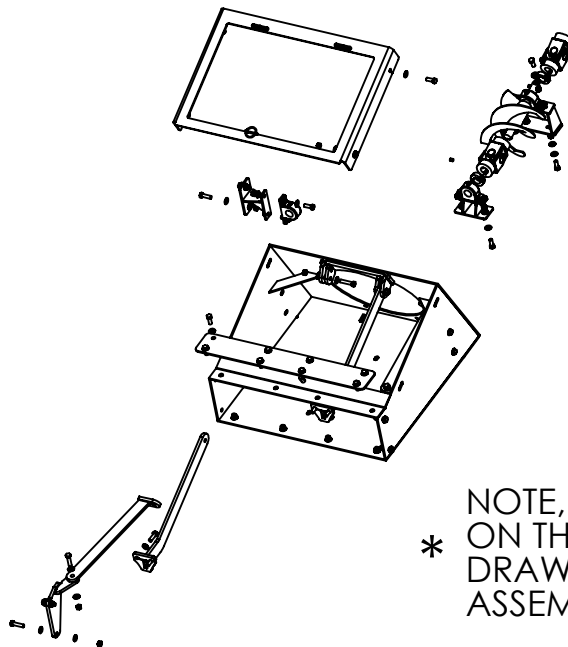
GSX 130 JUNCTION BOX ASSEMBLY 12860
 GSX 100 JUNCTION BOX ASSEMBLY 12271



NOTE: DRAWINGS SHOW PARTS FOR THE 13" MODEL

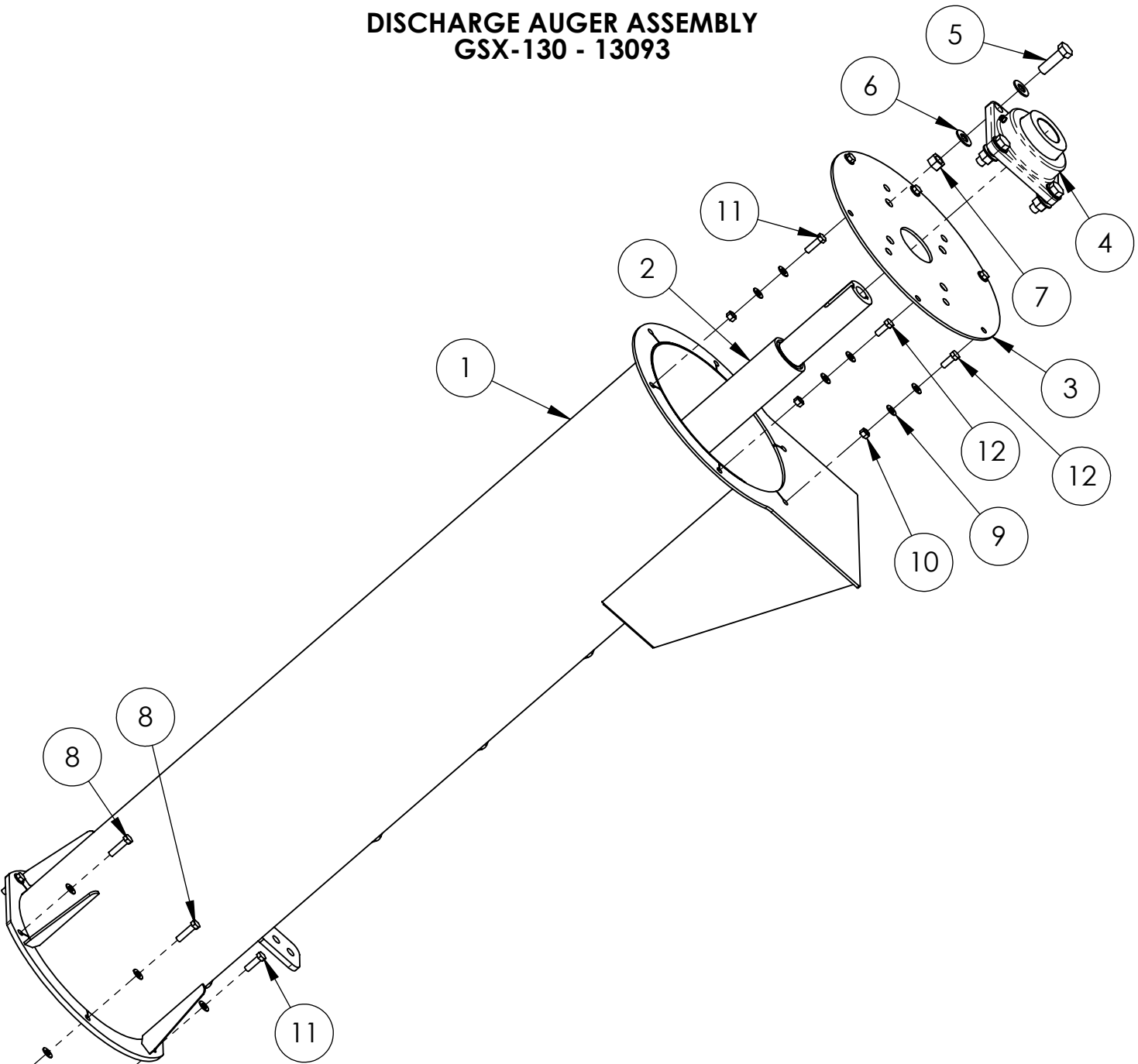
GSX 130 JUNCTION BOX ASSEMBLY 12860
GSX 100 JUNCTION BOX ASSEMBLY 12271

ITEM NO.	PART NUMBER	DESCRIPTION	QTY
1	12286	JUNCTION BOX, 13"	1
2	12042	JUNCTION BOX, 10"	1
3	10110	WASHER, 3/8 SAE GR8 ZY	77
4	10112	BOLT, 3/8-16 X 1 GR8 ZY	30
5	10113	BOLT, 3/8-16 X 1.25 GR8 ZY	6
6	10947	NUT, 3/8-16 SLTL GR8 ZY	32
7	11937	AUGER, 6" U-JOINT	1
8	12655	BEARING, 1.0 BRONZE, ZERK 0	2
9	12646	BEARING MOUNT BRACKET	1
10	12656	BEARING, 1.0 BRONZE, ZERK 90	2
11	12638	AUGER MOUNT, SIDE	2
12	12643	AUGER MOUNT, BOTTOM	1
13	12239	PLATE, BOX SUPPORT	1
14	12266	U-JOINT ASSY, 1.0 X 1.0	2
15	12279	KEYSTOCK, 1/4 X 1/4 X 1.0	4
16	12393	SETSCREW, 5/16-18 X 3/8, KNURLED CUP	8
17	10124	LYNCHPIN, 3/16	1
18	13258	AUGER SUPPORT BRK., 130	1
19	13270	AUGER SUPPORT BRACKET, 100	1
20	12674	JUNCTION BOX COVER	1
21	13273	BRACKET, RIGHT SUPPORT	1
22	13297	BRACKET, RIGHT SUPPORT, 130	1
23	13267	AUGER SUPPORT BRACKET	2
24	13293	BRACKET, LEFT SUPPORT	1
25	13298	BRACKET, LEFT SUPPORT, 130	1
26	13275	PLATE, 100 SUPPORT BAR	2
27	10135	BOLT, 3/8-16 X 1.75 GR8 ZY	2
28	13287	COLLAR, 1.0 ID, 2 PIECE SPLIT	2
29	12257	BOLT, 3/8-16 X 1.5 GR8 ZY	6



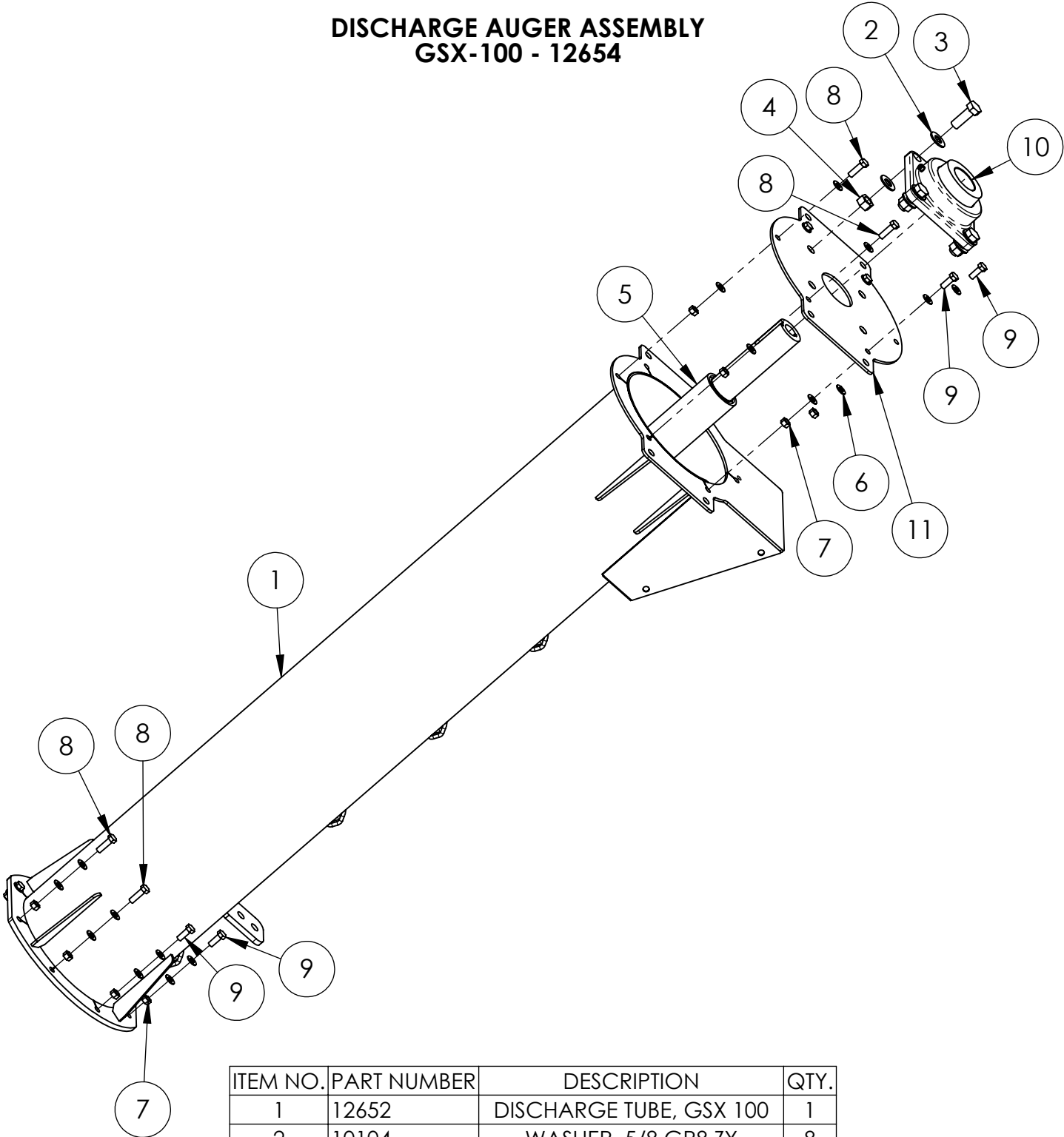
* NOTE, THESE ITEMS ARE USED ON THE 10" ASSEMBLY ONLY, #12271. DRAWINGS SHOW ITEMS IN THE 13" ASSEMBLY, #12860.

**DISCHARGE AUGER ASSEMBLY
GSX-130 - 13093**



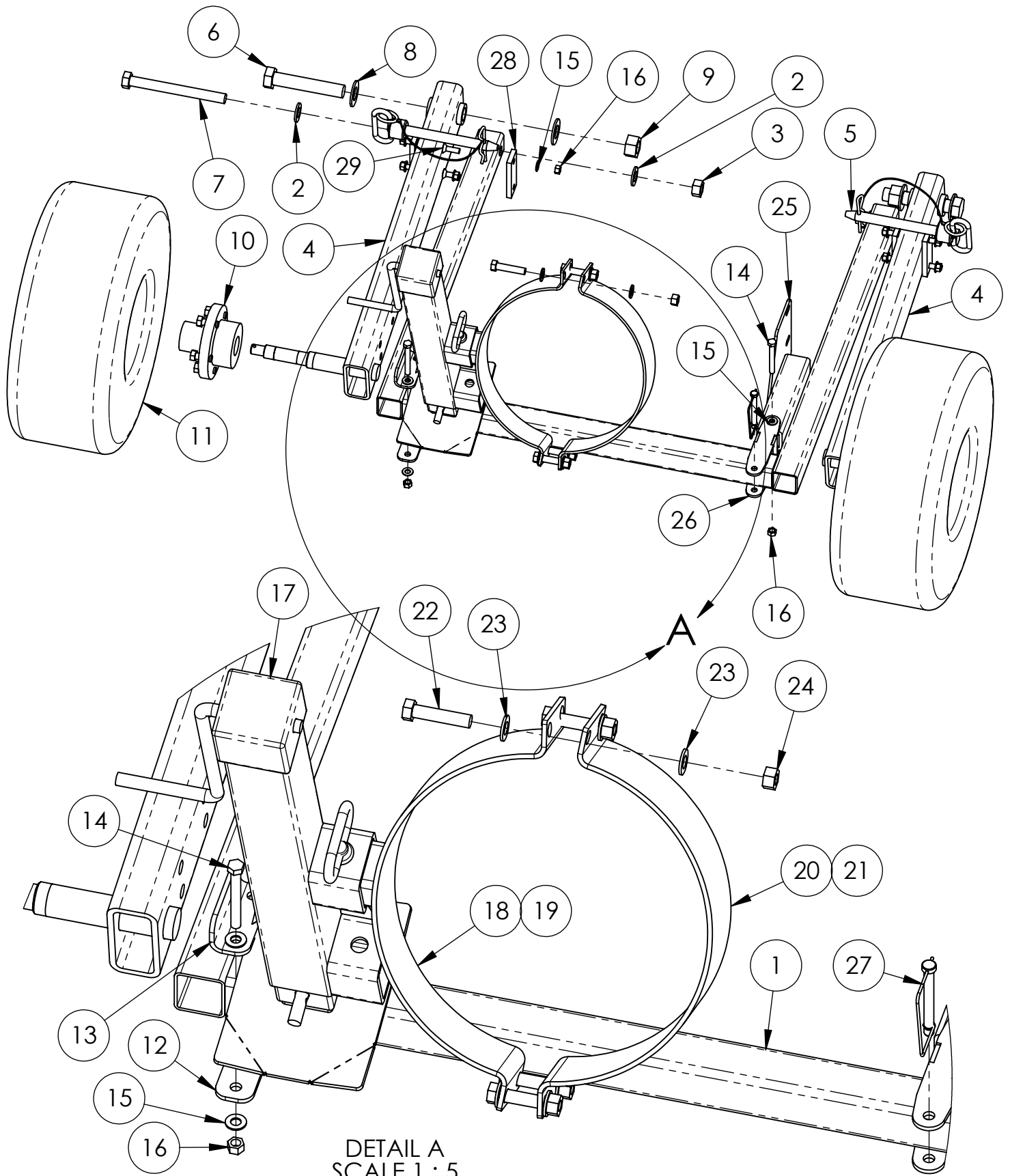
ITEM NO.	PART NUMBER	DESCRIPTION	QTY.
1	13044	DISCHARGE TUBE, GSX 130	1
2	13094	LIFT AUGER, GSX 130	1
3	12568	PLATE, DISCHARGE END, 130	1
4	12268	BEARING, 2.0 4 BOLT FLANGE	1
5	10886	BOLT, 5/8-11 X 2.0 GR8 ZY	4
6	10104	WASHER, 5/8 GR8 ZY	8
7	10105	NUT, 5/8-11 SLTL GR8 ZY	4
8	12257	BOLT, 3/8-16 X 1.5 GR8 ZY	4
9	10110	WASHER, 3/8 SAE GR8 ZY	22
10	10947	NUT, 3/8-16 SLTL GR8 ZY	10
11	10113	BOLT, 3/8-16 X 1.25 GR8 ZY	4
12	10112	BOLT, 3/8-16 X 1 GR8 ZY	4

**DISCHARGE AUGER ASSEMBLY
GSX-100 - 12654**



ITEM NO.	PART NUMBER	DESCRIPTION	QTY.
1	12652	DISCHARGE TUBE, GSX 100	1
2	10104	WASHER, 5/8 GR8 ZY	8
3	12258	BOLT, 5/8-11 X 1.75 GR8 ZY	4
4	11122	NUT, 5/8-11 SLTL GR8 ZY	4
5	12034	LIFT AUGER, 9"	1
6	10110	WASHER, 3/8 SAE GR8 ZY	28
7	10947	NUT, 3/8-16 SLTL GR8 ZY	14
8	10113	BOLT, 3/8-16 X 1.25 GR8 ZY	7
9	10112	BOLT, 3/8-16 X 1 GR8 ZY	7
10	12268	BEARING, 2.0 4 BOLT FLANGE	1
11	12653	PLATE, DISCHARGE END, 100	1

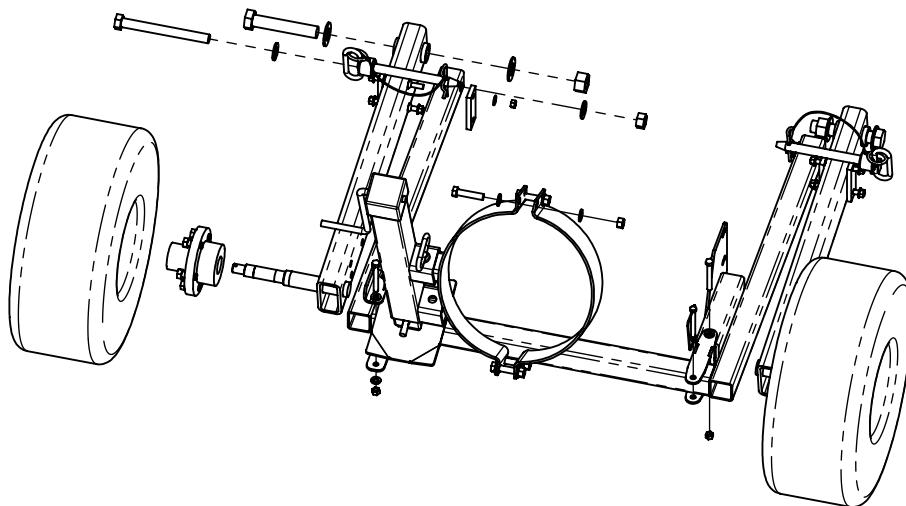
TRANSPORT ASSEMBLY
GSX-100 - 12391
GSX-130 - 12864



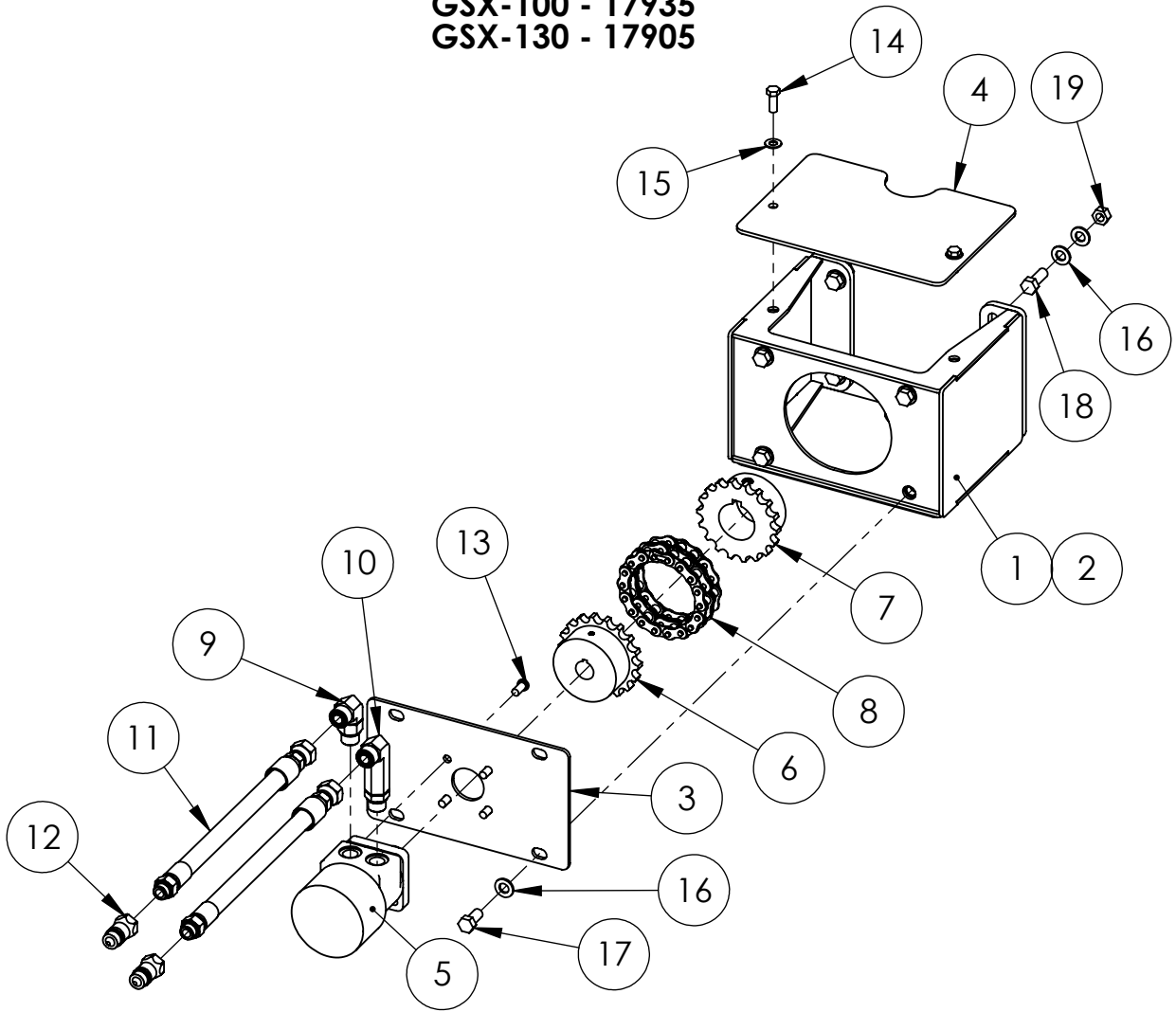
DETAIL A
SCALE 1 : 5

TRANSPORT ASSEMBLY
GSX-100 - 12391
GSX-130 - 12864

ITEM NO.	PART NUMBER	DESCRIPTION	QTY.
1	12254	JACK STABILIZER BAR	1
2	10107	WASHER, 3/4 GR8 ZY	4
3	10106	NUT - 3/4-10 GR8 TL ZY	2
4	12390	GSX WHEEL MOUNT	2
5	12078	HITCHPIN W/ LANYARD 3/4 X 6 1/2	2
6	13017	BOLT, 1-8 X 5.5 GR8 ZY	2
7	12664	BOLT, 3/4-10 X 7.5 GR8 ZY	2
8	10679	WASHER, 1" SAE GR8 ZY	4
9	10678	NUT, 1-8 TL GR8 ZY	2
10	12301	WHEEL HUB ASSY, 5-BOLT	2
11	12302	WHEEL & TIRE COMBO 5-BOLT	2
12	12370	PLATE, BOLT MOUNT	1
13	12369	PLATE, JACK STOP	1
14	12389	BOLT, 3/8-16 X 3 GR8 ZY	3
15	10110	WASHER, 3/8 SAE GR8 ZY	14
16	10947	NUT, 3/8-16 SLTL GR8 ZY	11
17	14456	JACK, 8K SIDE WIND MOUNT	1
18	12253	JACK MOUNT, GSX 100, 10.0	1
19	13095	JACK MOUNT, GSX 130, 12.75	1
20	17156	AUGER BAND, GSX-100	1
21	17157	AUGER BAND, GSX-130	1
22	10397	BOLT, 1/2-13 X 2.25 GR8 ZY	4
23	10062	WASHER, 1/2 SAE GR8 ZY	8
24	10395	NUT, 1/2-13 GR8 HEX ZY	4
25	12576	BRACKET, LOCK PIVOT	1
26	12573	LOCK BRACKET	1
27	10122	PTO PIN, 3/8 X 3	1
28	12975	BAR, WHEEL TUBE SHIM	4
29	13006	CAP SCREW, 3/8-16 X 1.25 CTRSK	8

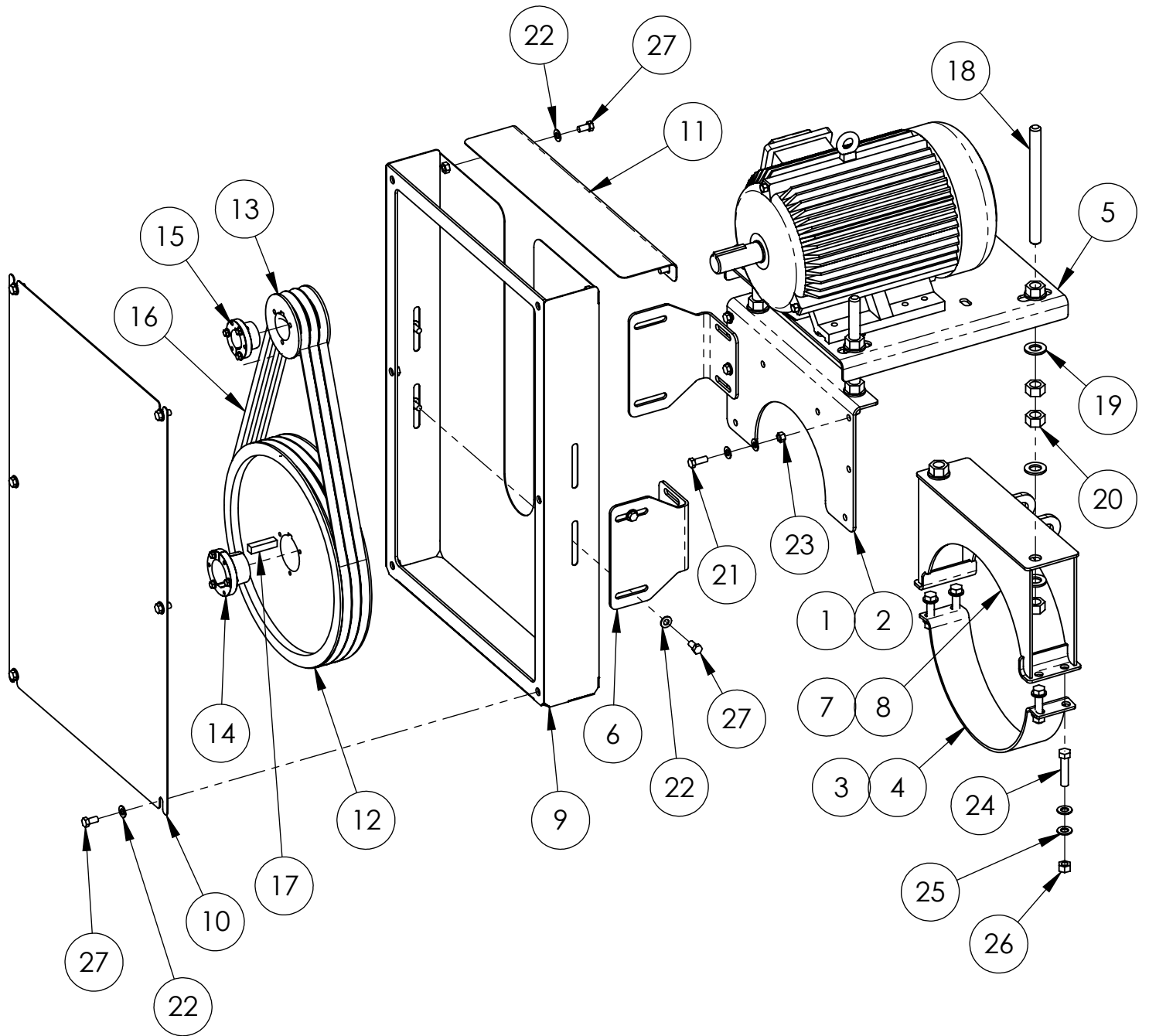


HYDRAULIC DRIVE ASSEMBLY
GSX-100 - 17935
GSX-130 - 17905



ITEM NO.	PART NUMBER	DESCRIPTION	QTY.
1	17899	MOTOR MOUNT, GSX-130	1
2	17934	MOTOR MOUNT, GSX-100	1
3	17906	PLATE, MOTOR MOUNT	1
4	17907	PLATE, SHAFT COVER	2
5	12265	HYD MOTOR, 8.8 CID	1
6	17717	SPROCKET, MOTOR SHAFT	1
7	14077	SPROCKET, LIFT COUPLER	1
8	14078	CHAIN, MOTOR COUPLER	1
9	13019	FITTING, 10M ORFS X 10M ORB 90	1
10	13052	FITTING, 10M ORFS X 10M ORB 90L	1
11	13018	HOSE, 5/8" X 240", 10F ORFS ST - 8M ORB ST	2
12	10540	AG QUICK COUPLER, 8F ORB	2
13	17760	BOLT, 3/8-16 X 0.75" SH LP	4
14	10112	BOLT, 3/8-16 X 1 GR8 ZY	4
15	10110	WASHER, 3/8 SAE GR8 ZY	4
16	10062	WASHER, 1/2 SAE GR8 ZY	12
17	17079	BOLT, 1/2-13 X 1.0 GR8 ZY	4
18	10433	BOLT, 1/2-13 X 1.25 GR8 ZY	4
19	10396	NUT, 1/2-13, SLTL GR8 ZY	4

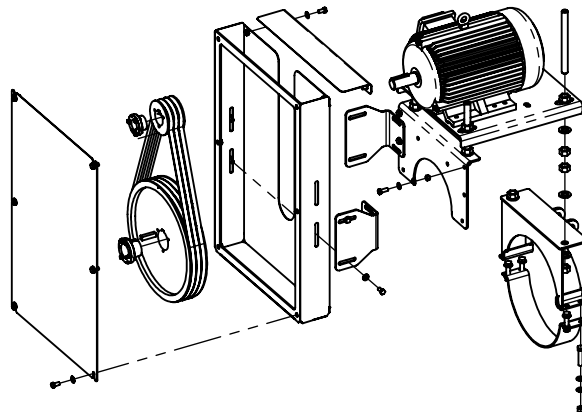
ELECTRIC DRIVE ASSEMBLY
GSX-100 - 16910
GSX-130 - 16911



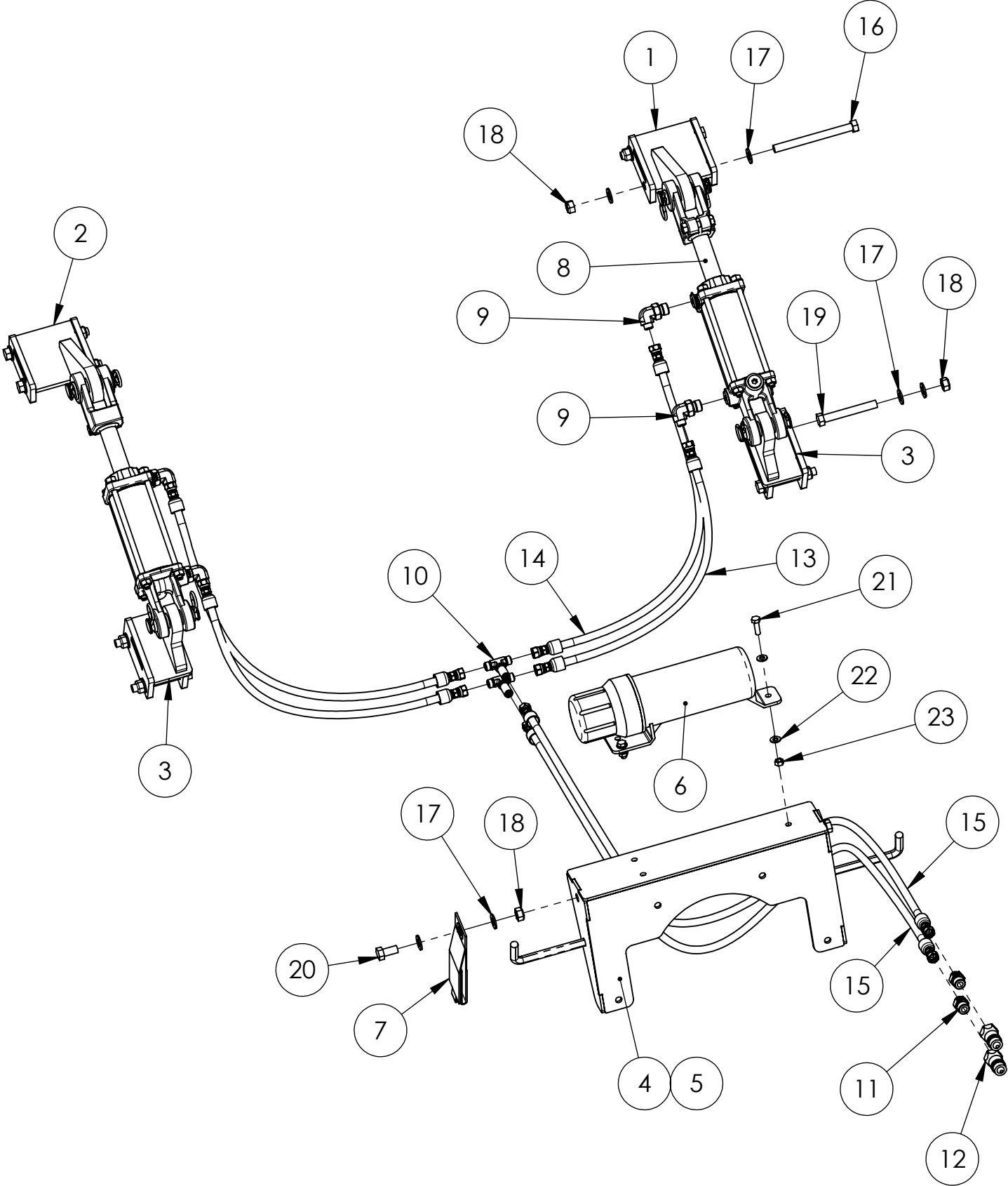
ELECTRIC DRIVE ASSEMBLY
GSX-100 - 16910
GSX-130 - 16911

ITEM NO.	PART NUMBER	DESCRIPTION	QTY.
1	12742	PLATE, 10" MOTOR MOUNT	1
2	12744	PLATE, 13" MOTOR MOUNT	1
3	17156	AUGER BAND, GSX-100	1
4	17157	AUGER BAND, GSX-130	1
5	12367	ELECTRIC MOTOR MOUNT	1
6	12747	PLATE, BELT GUARD MOUNT	2
7	13676	MOTOR MOUNT, GSX-100 ELEC	1
8	13597	MOTOR MOUNT, GSX-130 ELEC	1
9	16360	BELT COVER BASE	1
10	16361	PLATE, COVER FRONT	1
11	16362	PLATE, COVER TOP	1
12	12397	SHEAVE, 15.4 PD, AB 3 GROOVE QD	1
13	12515	SHEAVE, 4.2 PD, AB 3 GROOVE QD	1
14	12517	QD BUSHING, SK 2.00 SHAFT	1
15	12399	QD BUSHING, SH 1.375 SHAFT	1
16	13636	V-BELT, BX66	3
17	13325	KEYSTOCK, 1/2 X 1/2 X 2.0	1
18	12911	ALL THREAD, 3/4-10 X 9.0	4
19	10107	WASHER, 3/4 GR8 ZY	16
20	10632	NUT, 3/4-10 GR8 ZY	16
21	10112	BOLT, 3/8-16 X 1 GR8 ZY	4
22	10110	WASHER, 3/8 SAE GR8 ZY	20
23	10947	NUT, 3/8-16 SLTL GR8 ZY	4
24	10397	BOLT, 1/2-13 X 2.25 GR8 ZY	4
25	10062	WASHER, 1/2 SAE GR8 ZY	8
26	10395	NUT, 1/2-13 GR8 HEX ZY	4
27	10114	BOLT, 3/8-16 X .75 GR8 ZY	12

* NOTE, SHEAVE SIZES CAN VARY DEPENDING ON DESIRED AUGER RPM. QD BUSHING SIZES CAN VARY DEPENDING ON MOTOR SHAFT DIAMETER. PLEASE CALL THE FACTORY BEFORE ORDERING SHEAVES, BUSHINGS OR BELTS. THE ELECTRIC MOTOR IS PROVIDED BY THE CUSTOMER.

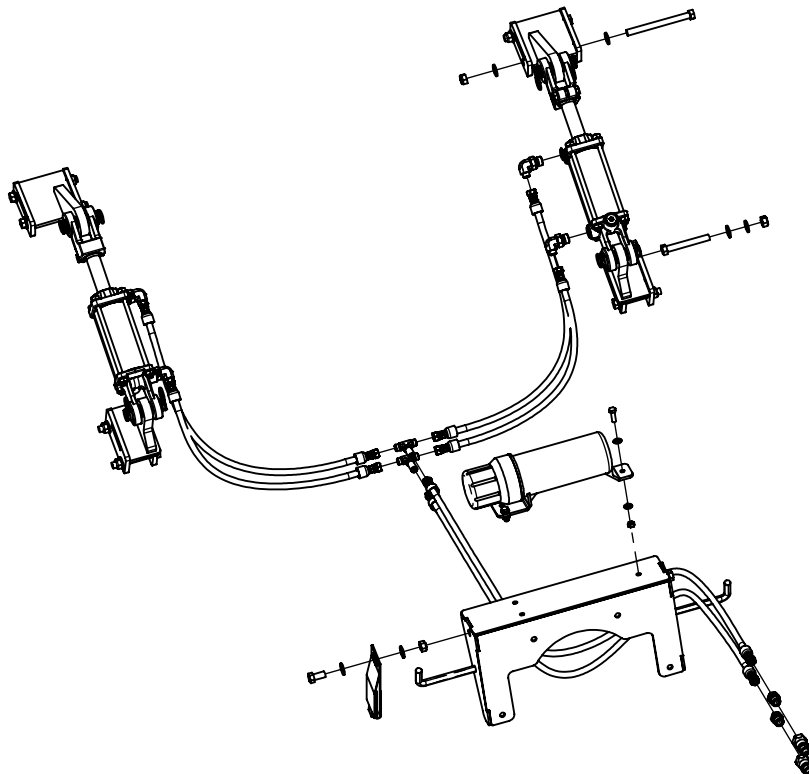


HYDRAULIC LIFT ASSEMBLY
GSX-100 - 17940
GSX-130 - 17766

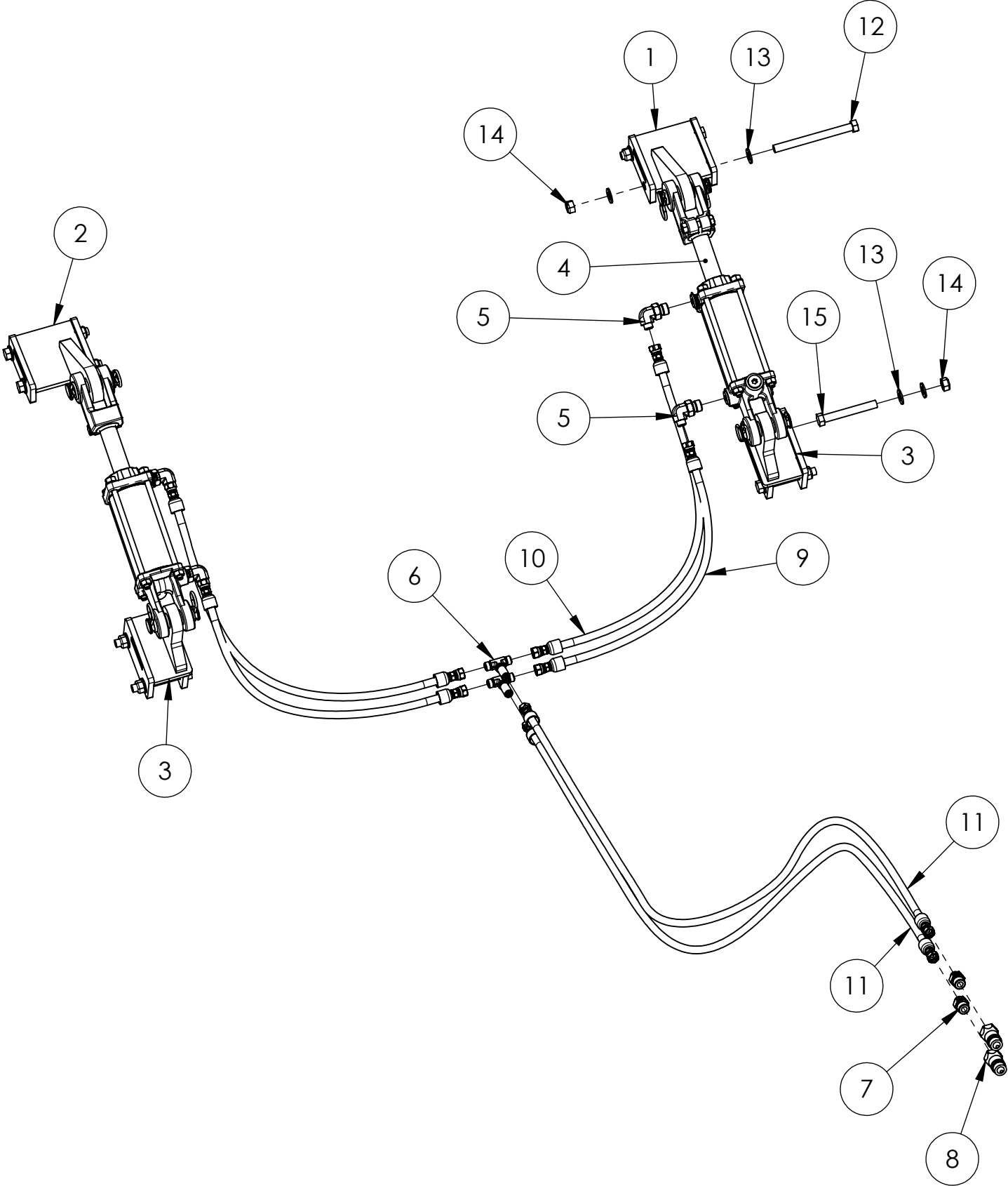


HYDRAULIC LIFT ASSEMBLY
GSX-100 - 17940
GSX-130 - 17766

ITEM NO.	PART NUMBER	DESCRIPTION	QTY.
1	12763	CYL MOUNT BRACKET, RIGHT	1
2	12428	CYL MOUNT BRACKET, LEFT	1
3	12431	CYLINDER MOUNT BRACKET	2
4	17755	HOSE HOOK BRKT, GSX-130	1
5	17941	HOSE HOOK BRKT, GSX-100	1
6	17291	OPERATORS MANUAL CANISTER	1
7	17924	STRAP, HD 17" VELCRO	2
8	12764	HYD CYL, 2.5 x 4 x 1.125	2
9	12765	FITTING, 4M ORFS X 8M ORB 90	4
10	17082	FITTING, 4ORFS BKHD BCH TEE	2
11	15407	FITTING, 4M ORFS X 8M ORB ST	2
12	10540	AG QUICK COUPLER, 8F ORB	2
13	13346	HOSE, 1/4" X 28", 4F ORFS ST	2
14	17761	HOSE, 1/4" X 36", 4F ORFS ST	2
15	17764	HOSE, 1/4" X 300", 4F ORFS ST	2
16	12524	BOLT, 1/2-13 X 5.5 GR8 ZY	4
17	10062	WASHER, 1/2 SAE GR8 ZY	20
18	10396	NUT, 1/2-13, SLTL GR8 ZY	10
19	11617	BOLT, 1/2-13 X 3.75 GR8 ZY	4
20	17079	BOLT, 1/2-13 X 1.0 GR8 ZY	2
21	17379	BOLT, 5/16-18 X 1.0" GR8 ZY	3
22	14697	WASHER, 5/16 GR8 ZY	6
23	14698	NUT, 5/16-18 GR8 ZY	3

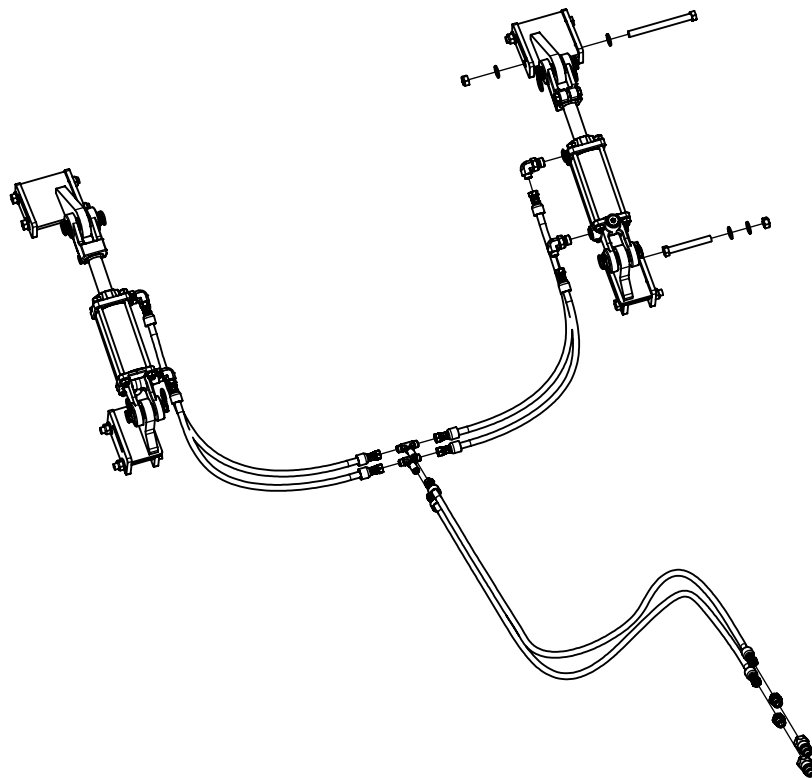


**HYDRAULIC LIFT ASSEMBLY
(USED WITH ELECTRIC DRIVE)
17925**

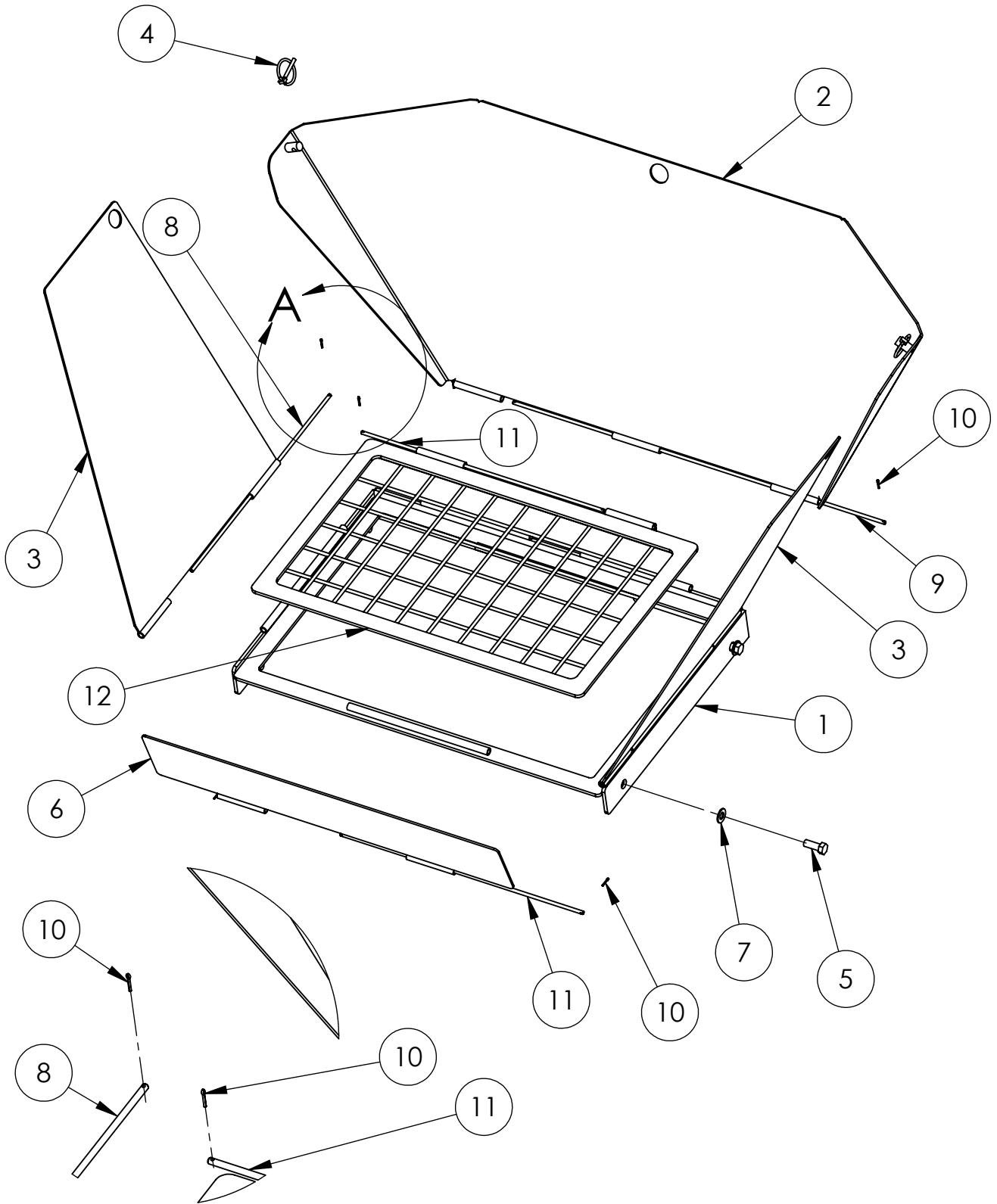


**HYDRAULIC LIFT ASSEMBLY
(USED WITH ELECTRIC DRIVE)
17925**

ITEM NO.	PART NUMBER	DESCRIPTION	QTY.
1	12763	CYL MOUNT BRACKET, RIGHT	1
2	12428	CYL MOUNT BRACKET, LEFT	1
3	12431	CYLINDER MOUNT BRACKET	2
4	12764	HYD CYL, 2.5 x 4 x 1.125	2
5	12765	FITTING, 4M ORFS X 8M ORB 90	4
6	17082	FITTING, 4ORFS BKHD BCH TEE	2
7	15407	FITTING, 4M ORFS X 8M ORB ST	2
8	10540	AG QUICK COUPLER, 8F ORB	2
9	13346	HOSE, 1/4" X 28", 4F ORFS ST	2
10	17761	HOSE, 1/4" X 36", 4F ORFS ST	2
11	17764	HOSE, 1/4" X 300", 4F ORFS ST	2
12	12524	BOLT, 1/2-13 X 5.5 GR8 ZY	4
13	10062	WASHER, 1/2 SAE GR8 ZY	16
14	10396	NUT, 1/2-13, SLTL GR8 ZY	8
15	11617	BOLT, 1/2-13 X 3.75 GR8 ZY	4



GSX SIDE CHUTE ASSEMBLY, 12861

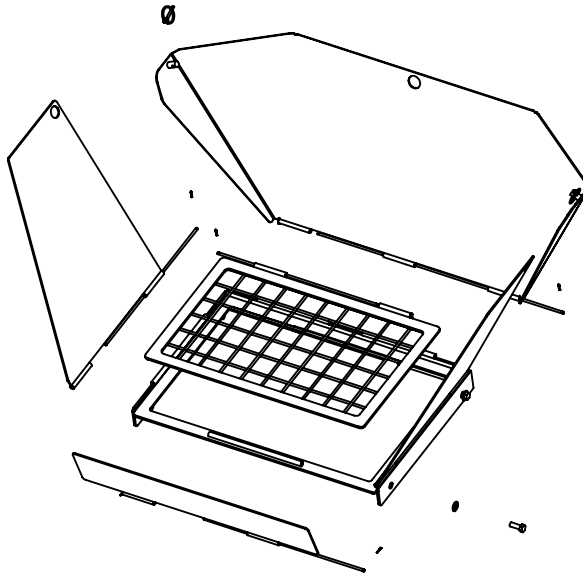


DETAIL A
SCALE 1 : 4

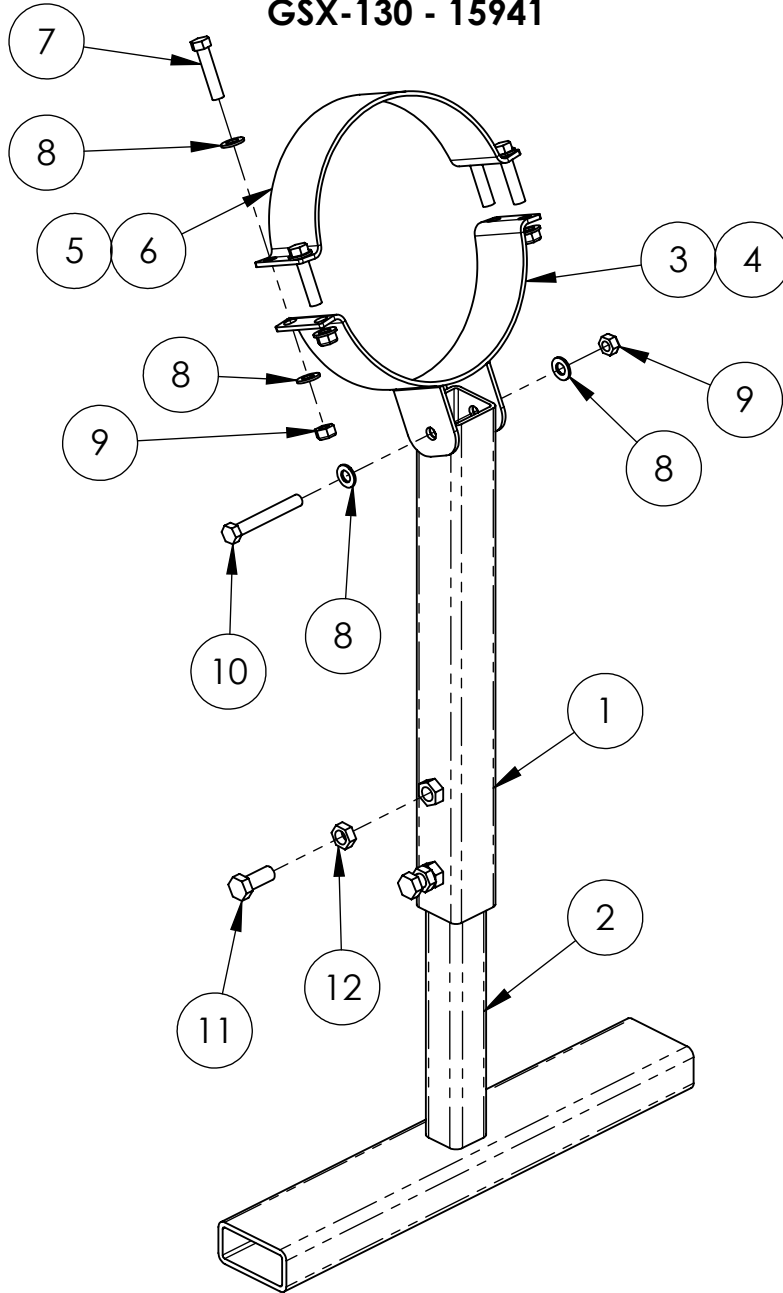
GSX SIDE CHUTE ASSEMBLY, 12861

ITEM NO.	PART NUMBER	DESCRIPTION	QTY
1	12058	SIDE HOPPER FRAME	1
2	12054	SIDE HOPPER BACK	1
3	12050	SIDE HOPPER PLATE	2
4	10124	LYNCHPIN, 3/16	2
5	10112	BOLT, 3/8-16 X 1 GR8 ZY	4
6	12374	SIDE CHUTE, FRONT	1
7	10110	WASHER, 3/8 SAE GR8 ZY	4
8	12376	PIN, SIDE HINGE	2
9	12377	PIN, TOP HINGE	1
10	12375	COTTER PIN, 1/16 X 1/2	8
11	12378	PIN, BOTTOM HINGE	2
12	12565	SIDE HOPPER GRATE	1

NOTE, THE SIDE CHUTE ASSEMBLY IS OPTIONAL. STANDARD UNITS COME WITH A JUNCTION BOX COVER, PART # 12674.

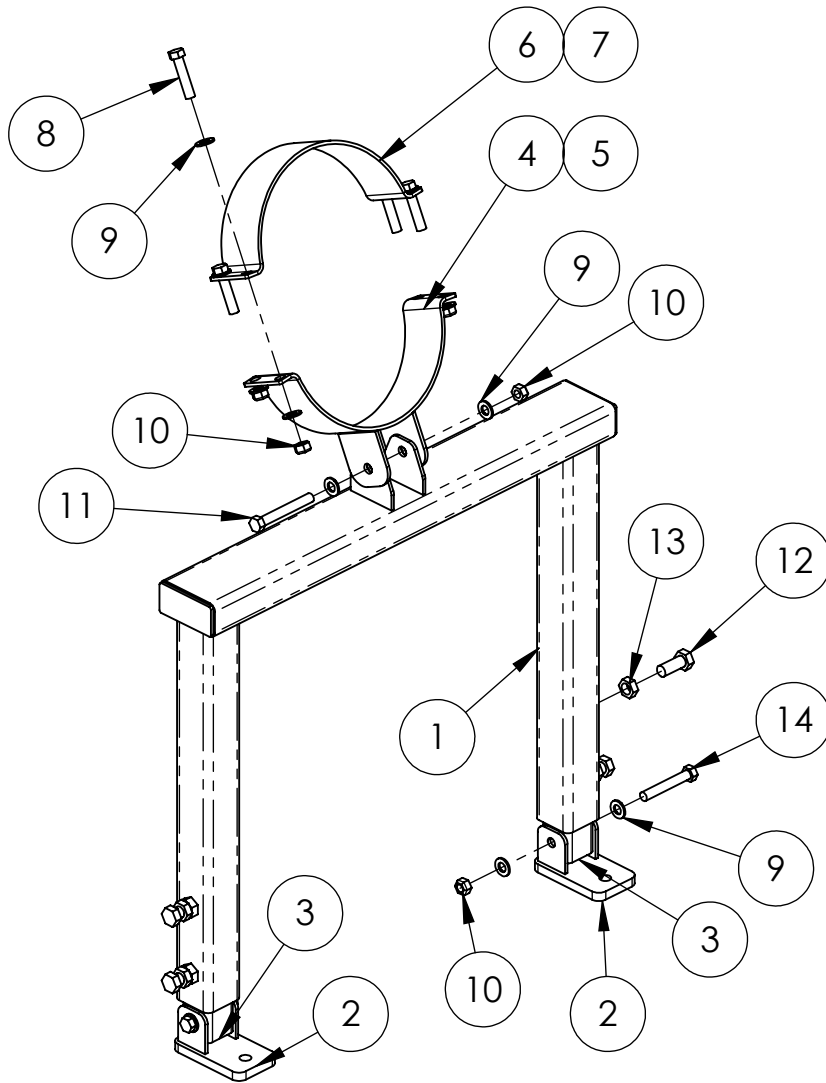


AUGER STAND ASSEMBLY - SMALL
GSX-100 - 17345
GSX-130 - 15941



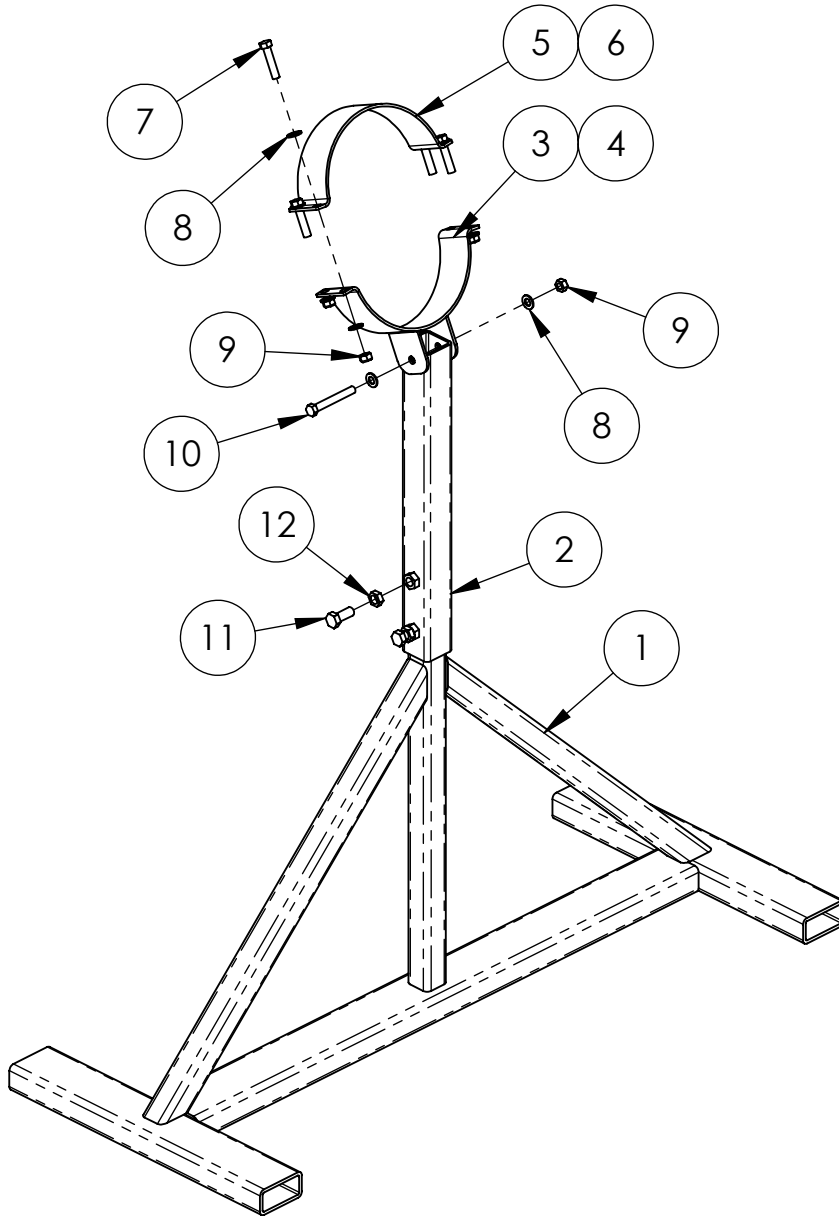
ITEM NO.	PART NUMBER	DESCRIPTION	QTY.
1	13747	LEG, AUGER SUPPORT	1
2	13750	AUGER LEG BASE	1
3	17348	LEG MOUNT, 10 AUGER	1
4	13058	LEG MOUNT, 12.75 AUGER	1
6	17156	AUGER BAND, GSX-100	1
6	17157	AUGER BAND, GSX-130	1
7	10397	BOLT, 1/2-13 X 2.25 GR8 ZY	4
8	10062	WASHER, 1/2 SAE GR8 ZY	10
9	10396	NUT, 1/2-13, SLTL GR8 ZY	5
10	11617	BOLT, 1/2-13 X 3.75 GR8 ZY	1
11	11984	BOLT, 5/8 - 11 X 1.0 GR8 ZY	2
12	10608	NUT, 5/8-18 JAM, GR8 ZY	2

AUGER STAND ASSEMBLY - TWO LEGS
GSX-100 - 17346
GSX-130 - 16117



ITEM NO.	PART NUMBER	DESCRIPTION	QTY.
1	16098	AUGER STAND LEG SPLIT	1
2	16099	AUGER STAND FOOT	2
3	16115	TUBE, STAND EXTENSION	2
4	17348	LEG MOUNT, 10 AUGER	1
5	13058	LEG MOUNT, 12.75 AUGER	1
6	17156	AUGER BAND, GSX-100	1
7	17157	AUGER BAND, GSX-130	1
8	10397	BOLT, 1/2-13 X 2.25 GR8 ZY	4
9	10062	WASHER, 1/2 SAE GR8 ZY	14
10	10396	NUT, 1/2-13, SLTL GR8 ZY	7
11	11617	BOLT, 1/2-13 X 3.75 GR8 ZY	1
12	11984	BOLT, 5/8 - 11 X 1.0 GR8 ZY	4
13	10608	NUT, 5/8-18 JAM, GR8 ZY	4
14	14651	BOLT, 1/2-13 X 3.25 GR8 ZY	2

AUGER STAND ASSEMBLY - LARGE
GSX-100 - 17347
GSX-130 - 17349



ITEM NO.	PART NUMBER	DESCRIPTION	QTY.
1	14304	AUGER SUPPORT STAND	1
2	13747	LEG, AUGER SUPPORT	1
3	17348	LEG MOUNT, 10 AUGER	1
4	13058	LEG MOUNT, 12.75 AUGER	1
5	17156	AUGER BAND, GSX-100	1
6	17157	AUGER BAND, GSX-130	1
7	10397	BOLT, 1/2-13 X 2.25 GR8 ZY	4
8	10062	WASHER, 1/2 SAE GR8 ZY	10
9	10396	NUT, 1/2-13, SLTL GR8 ZY	5
10	11617	BOLT, 1/2-13 X 3.75 GR8 ZY	1
11	11984	BOLT, 5/8 - 11 X 1.0 GR8 ZY	2
12	10608	NUT, 5/8-18 JAM, GR8 ZY	2